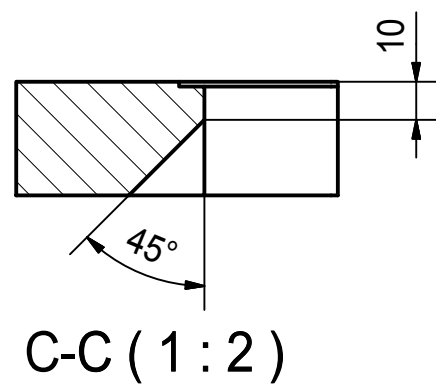
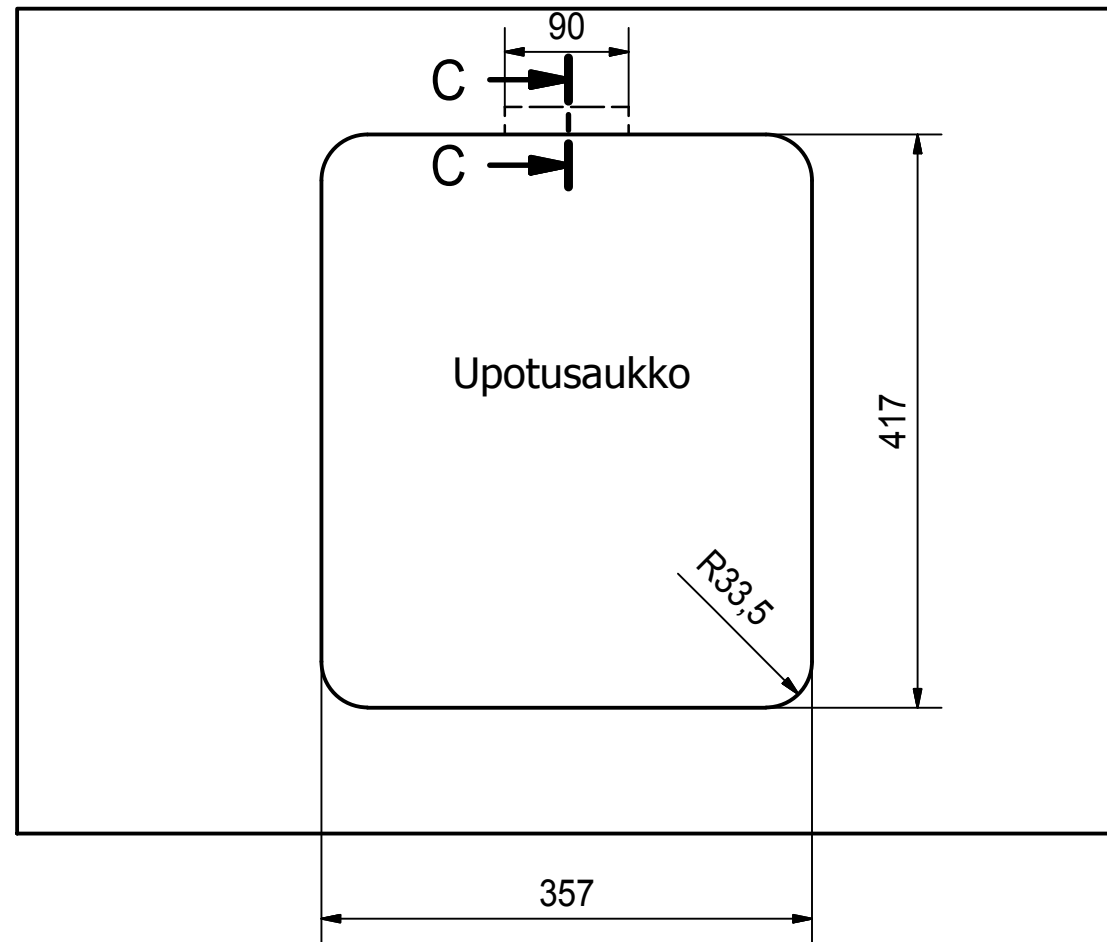
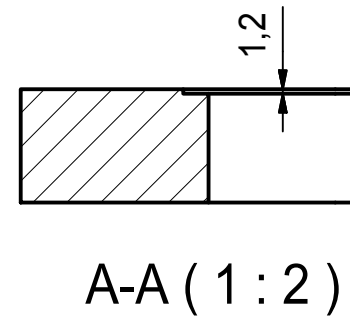
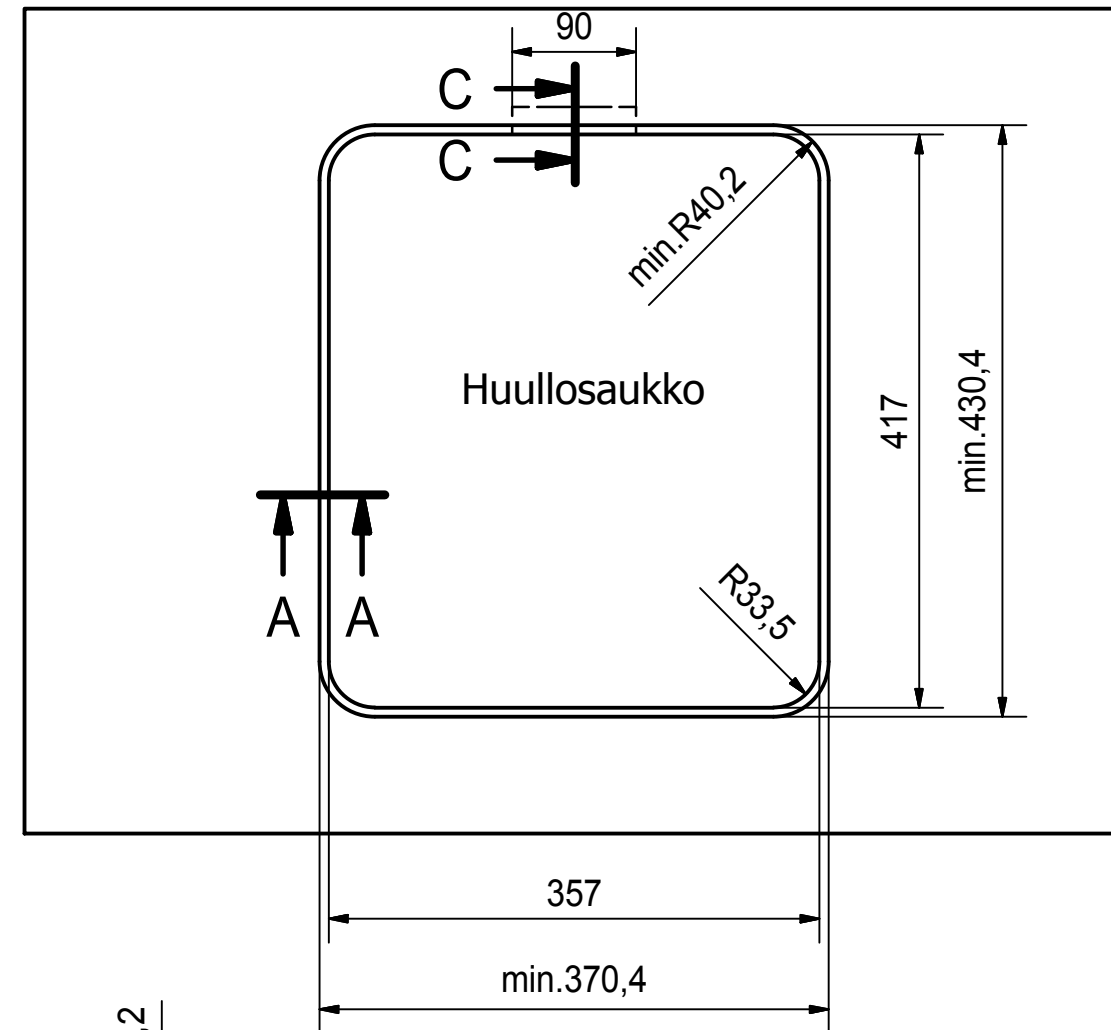


KBX 610-34



KBX 210-34



Drawn by	HH009	5.7.2011	Replaced through		Part Gr.	Part / Tool No.	Tolerance	Thickness	Shear size
Checked by			Replacement for			127.0051.943	ISO 2768 m		
Modified by	HH009	25.8.2011	Originate from		Material	Default	Remark		Weight
Revision Description:				Unit	Scale		Project		
				mm	NTS		Upotettavat		
				Department: Sinks			Collection		
							Kubus		
				Franke Finland Oy Vartiokuja 1, 76850 Naarajärvi Telefon: +358 15 3411 1 Telefax: +358 15 3411 560 E-Mail: fnn-info@franke.com Internet: www.franke.fi			Kubus KBX 210/610-34 Upotusaukko		
				Format	Drawing No.		Rev.	Sheet	
				A3	0046-114598		A	1	