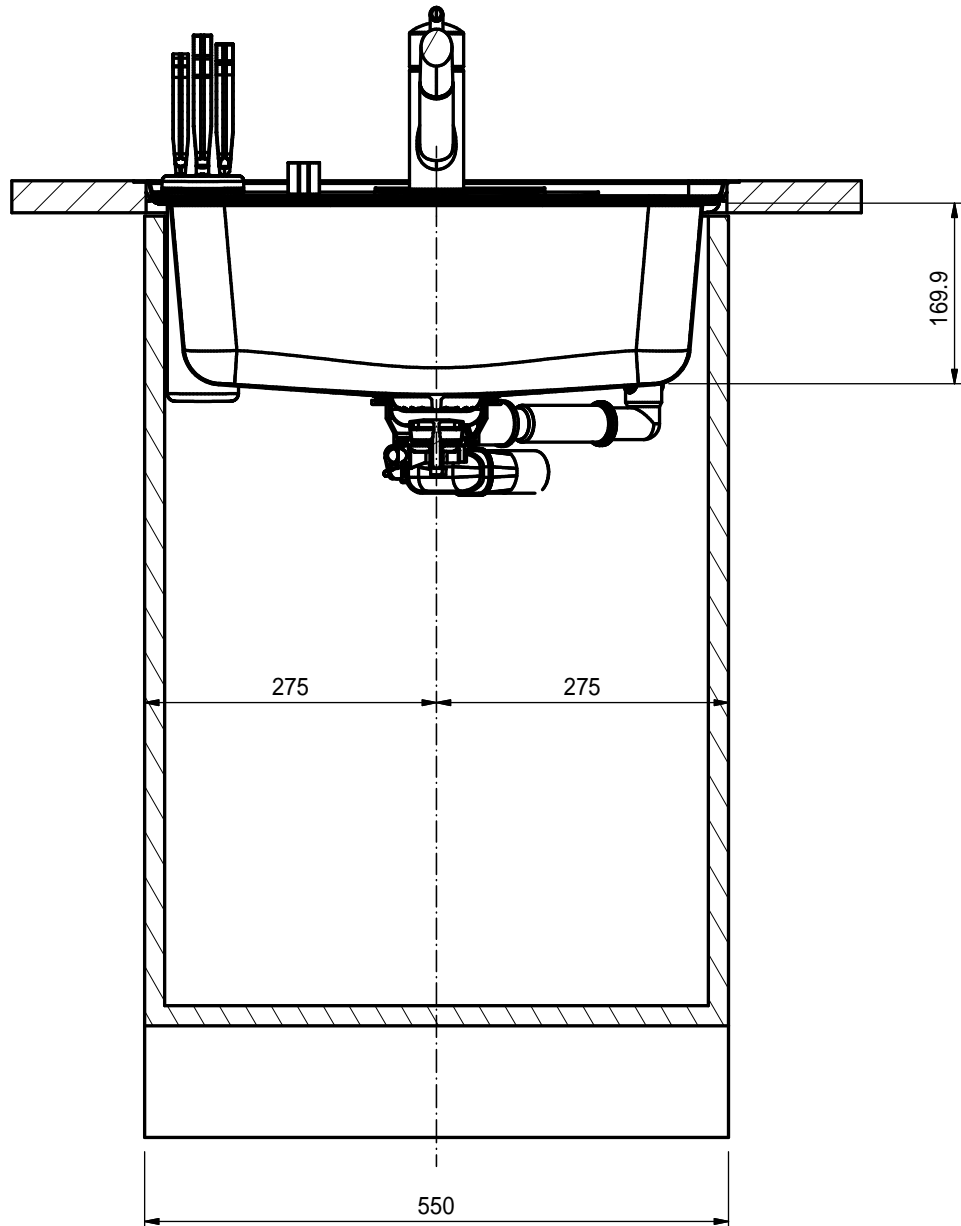


AN

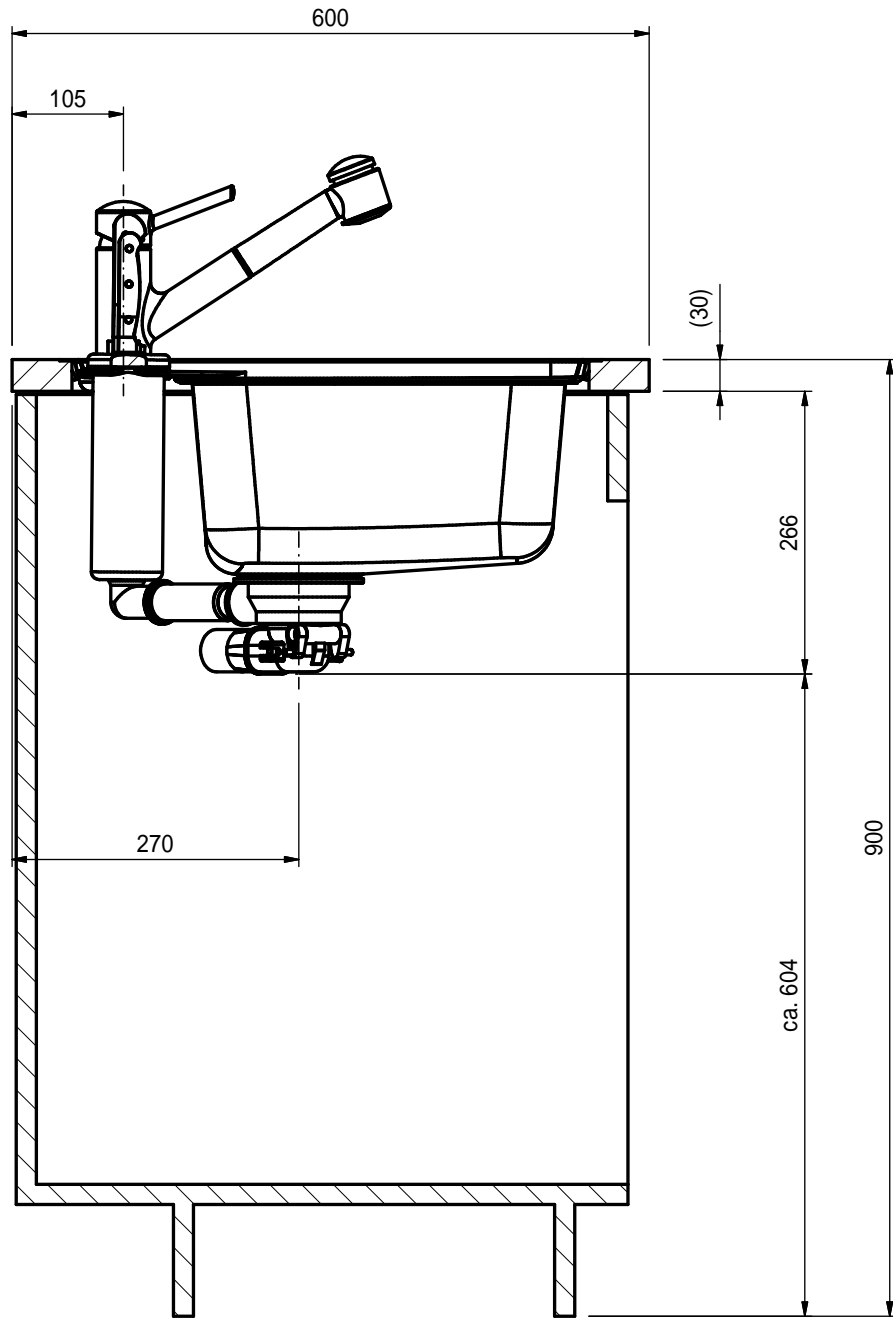


Department	Entwicklung	
Project	Largo	
Collection	LAX 210	
Drawn by	SP037	13.06.2007
<small>These drawings and specifications are the property of NIRO-Plan AG and shall not be reproduced, copied or transferred to any third party without the prior written permission of NIRO-Plan AG, Aarburg, Switzerland</small>		

FRANKE
 Franke Küchentechnik AG
 CH-4663 Aarburg
 Telefon: +41 62 787 31 31
 Telefax: +41 62 787 30 18
 E-Mail: ktech@franke.com
 Internet: www.kl.franke.ch

LAX 210 mit Köcher		Rev.	Sheet
Verkaufsunterlagen			
Format	Drawing No.		
A4	0056-168627	A	1

SS

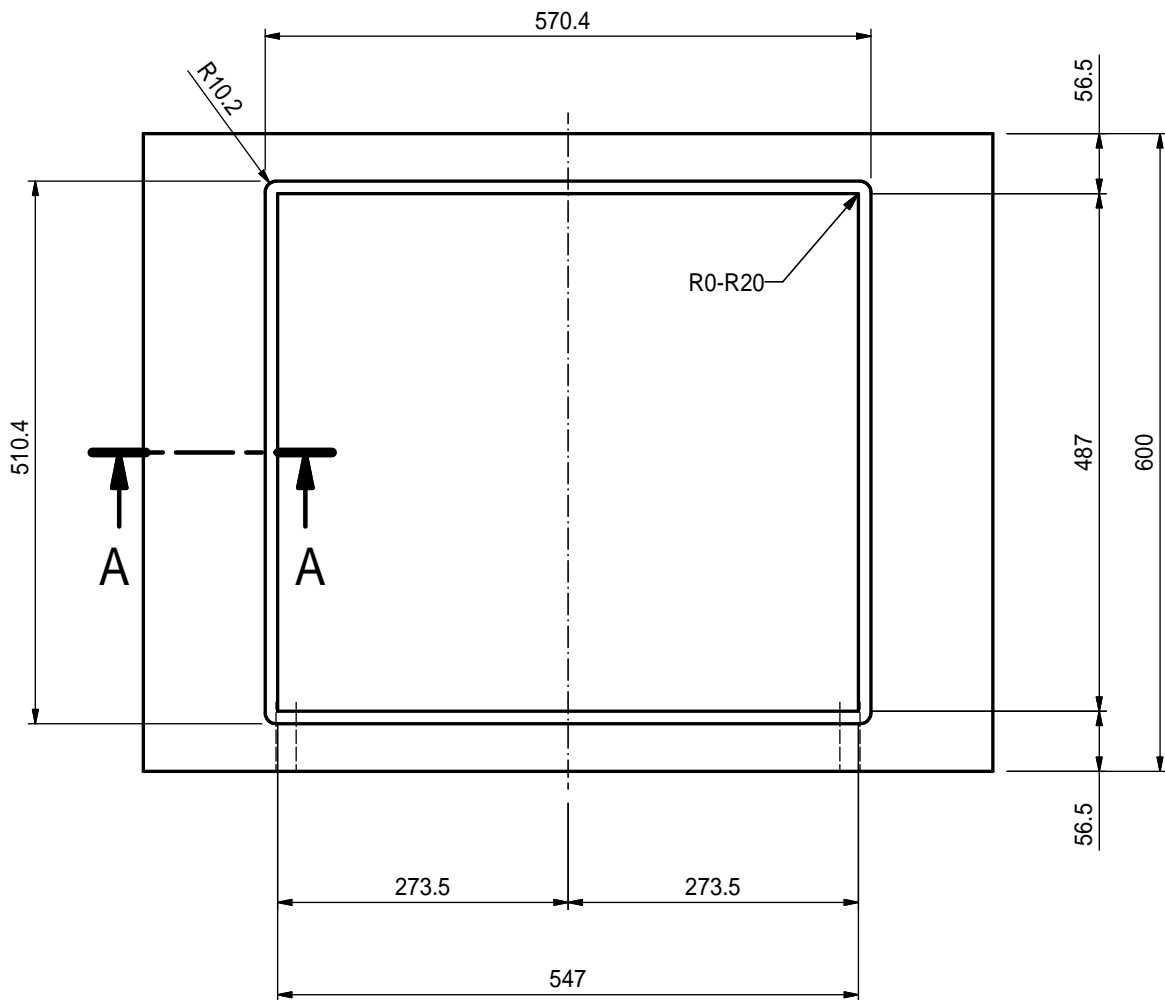
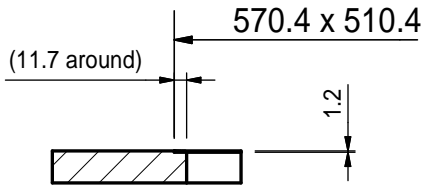


Department	Entwicklung	
Project	Largo	
Collection	LAX 210	
Drawn by	SP037	13.06.2007
<small>These drawings and specifications are the property of NIRO-Plan AG and shall not be reproduced, copied or transferred to any third party without the prior written permission of NIRO-Plan AG, Aarburg, Switzerland</small>		

FRANKE
 Franke Küchentechnik AG
 CH-4663 Aarburg
 Telefon: +41 62 787 31 31
 Telefax: +41 62 787 30 18
 E-Mail: ktech@franke.com
 Internet: www.kl.franke.ch

LAX 210 mit Köcher		Rev.	Sheet
Verkaufsunterlagen			
Format	Drawing No.		
A4	0056-168627	A	2

AU



Department	Entwicklung	
Project	Largo	
Collection	LAX 210	
Drawn by	SP037	13.06.2007
<small>These drawings and specifications are the property of NIRO-Plan AG and shall not be reproduced, copied or transferred to any third party without the prior written permission of NIRO-Plan AG, Aarburg, Switzerland</small>		



Franke Küchentechnik AG
 CH-4663 Aarburg
 Telefon: +41 62 787 31 31
 Telefax: +41 62 787 30 18
 E-Mail: ktech@franke.com
 Internet: www.kl.franke.ch

LAX 210 mit Köcher Verkaufsunterlagen

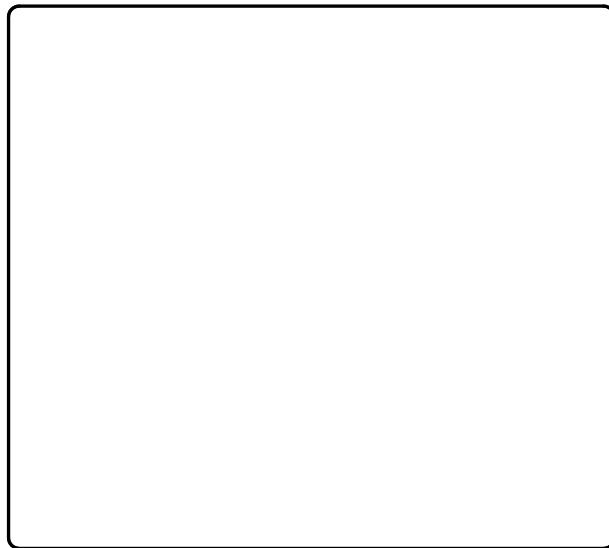
Format	Drawing No.	Rev.	Sheet
A4	0056-168627	A	3

CUT-OUT



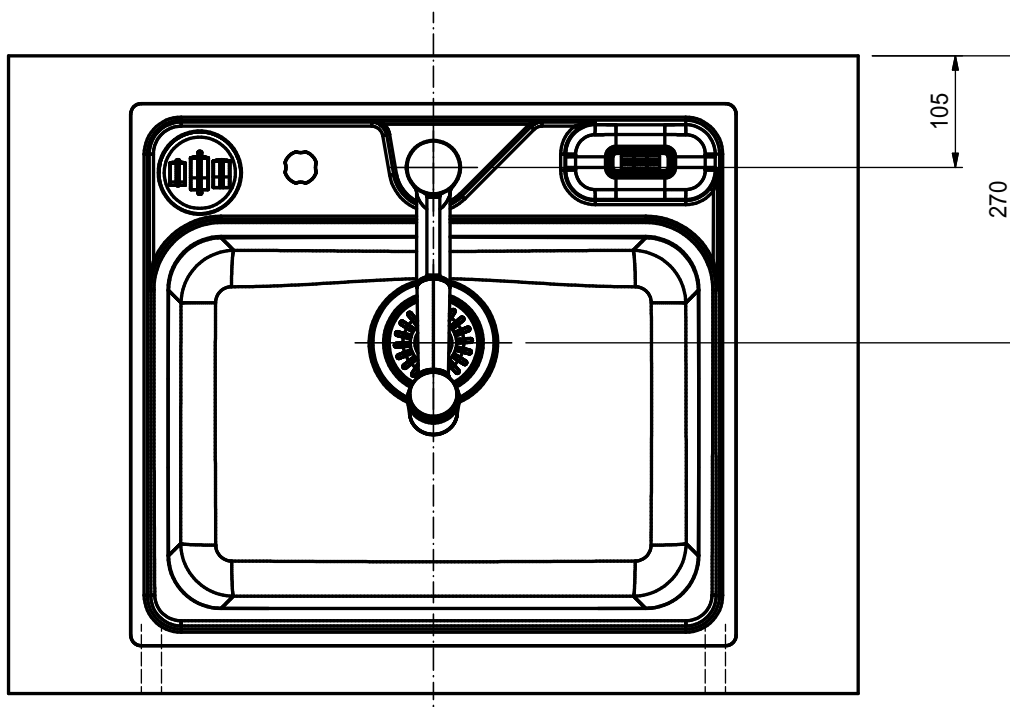
Department	Entwicklung		 Franke Küchentechnik AG CH-4663 Aarburg Telefon: +41 62 787 31 31 Telefax: +41 62 787 30 18 E-Mail: kich@franke.com Internet: www.kl.franke.ch	LAX 210 mit Köcher Verkaufsunterlagen		Format	Drawing No.	Rev.	Sheet
Project	Largo								
Collection	LAX 210			A4	0056-168627	A	4		
Drawn by	SP037	13.06.2007							
<small>These drawings and specifications are the property of NIRO-Plan AG and shall not be reproduced, copied or transferred to any third party without the prior written permission of NIRO-Plan AG, Aarburg, Switzerland</small>									

RIM



Department	Entwicklung		 Franke Küchentechnik AG CH-4663 Aarburg Telefon: +41 62 787 31 31 Telefax: +41 62 787 30 18 E-Mail: kich@franke.com Internet: www.kl.franke.ch	LAX 210 mit Köcher Verkaufsunterlagen		Format	Drawing No.	Rev.	Sheet
Project	Largo								
Collection	LAX 210								
Drawn by	SP037	13.06.2007							
<small>These drawings and specifications are the property of NIRO-Plan AG and shall not be reproduced, copied or transferred to any third party without the prior written permission of NIRO-Plan AG, Aarburg, Switzerland</small>				A4	0056-168627	A	5		

PL



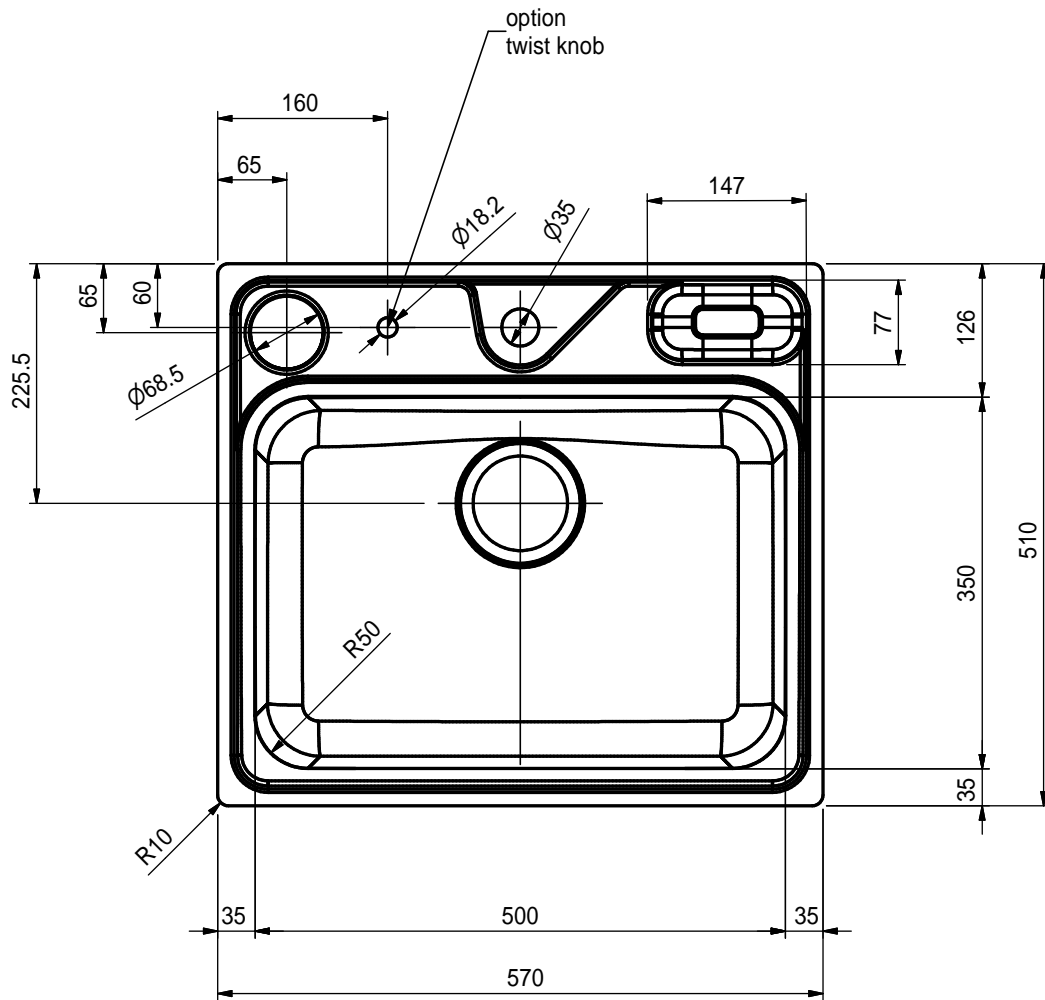
Department	Entwicklung	
Project	Largo	
Collection	LAX 210	
Drawn by	SP037	13.06.2007
<small>These drawings and specifications are the property of NIRO-Plan AG and shall not be reproduced, copied or transferred to any third party without the prior written permission of NIRO-Plan AG, Aarburg, Switzerland</small>		

FRANKE
Franke Küchentechnik AG
CH-4663 Aarburg
Telefon: +41 62 787 31 31
Telefax: +41 62 787 30 18
E-Mail: ktech@franke.com
Internet: www.kl.franke.ch

LAX 210 mit Köcher Verkaufsunterlagen

Format	Drawing No.	Rev.	Sheet
A4	0056-168627	A	6

DS



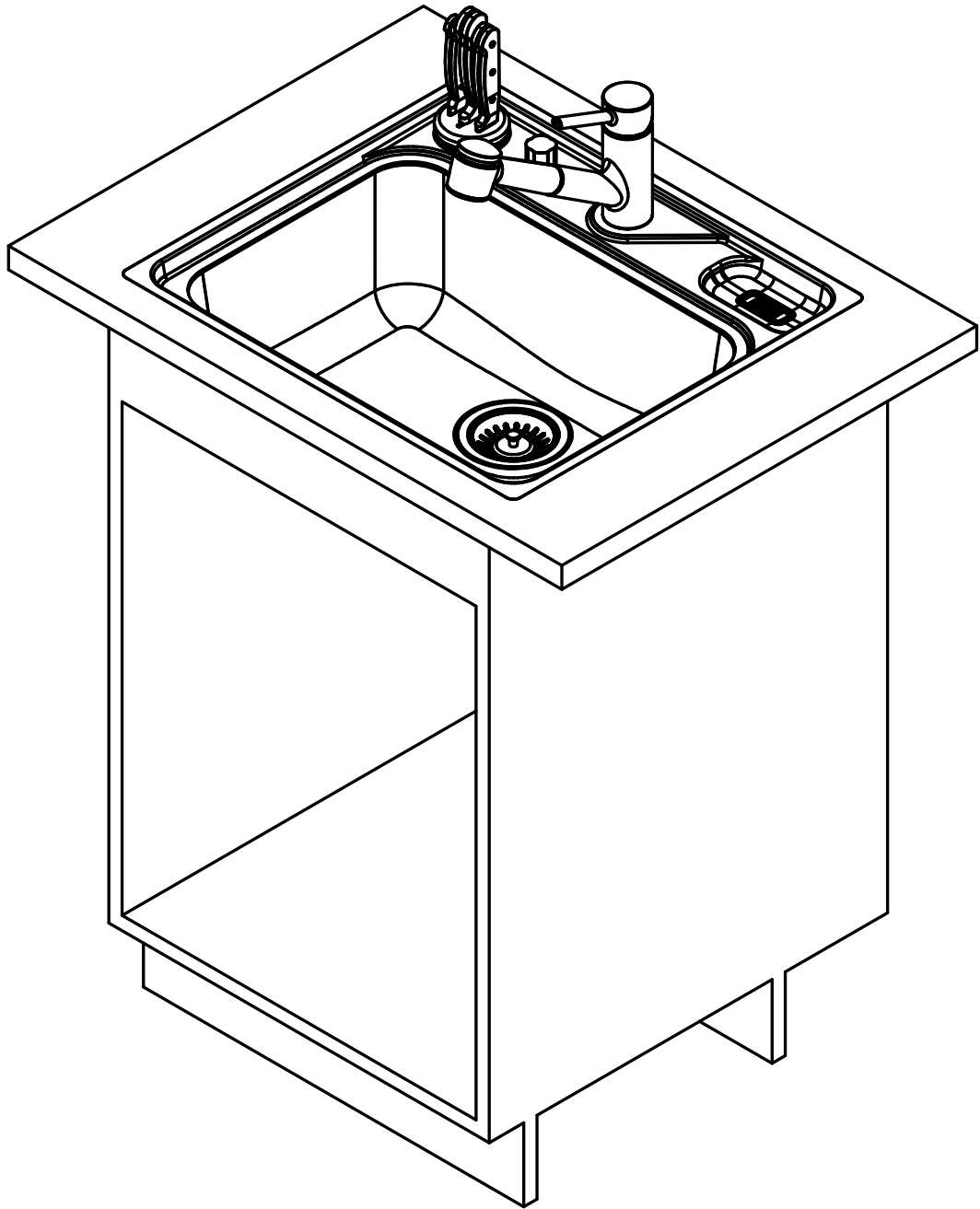
Department	Entwicklung	
Project	Largo	
Collection	LAX 210	
Drawn by	SP037	13.06.2007
<small>These drawings and specifications are the property of NIRO-Plan AG and shall not be reproduced, copied or transferred to any third party without the prior written permission of NIRO-Plan AG, Aarburg, Switzerland</small>		

FRANKE
 Franke Küchentechnik AG
 CH-4663 Aarburg
 Telefon: +41 62 787 31 31
 Telefax: +41 62 787 30 18
 E-Mail: ktech@franke.com
 Internet: www.kl.franke.ch

LAX 210 mit Köcher Verkaufsunterlagen

Format	Drawing No.	Rev.	Sheet
A4	0056-168627	A	7

ISO



Department	Entwicklung	
Project	Largo	
Collection	LAX 210	
Drawn by	SP037	13.06.2007
<small>These drawings and specifications are the property of NIRO-Plan AG and shall not be reproduced, copied or transferred to any third party without the prior written permission of NIRO-Plan AG, Aarburg, Switzerland</small>		

FRANKE
Franke Küchentechnik AG
CH-4663 Aarburg
Telefon: +41 62 787 31 31
Telefax: +41 62 787 30 18
E-Mail: ktech@franke.com
Internet: www.kl.franke.ch

LAX 210 mit Köcher
Verkaufsunterlagen

Format	Drawing No.	Rev.	Sheet
A4	0056-168627	A	8