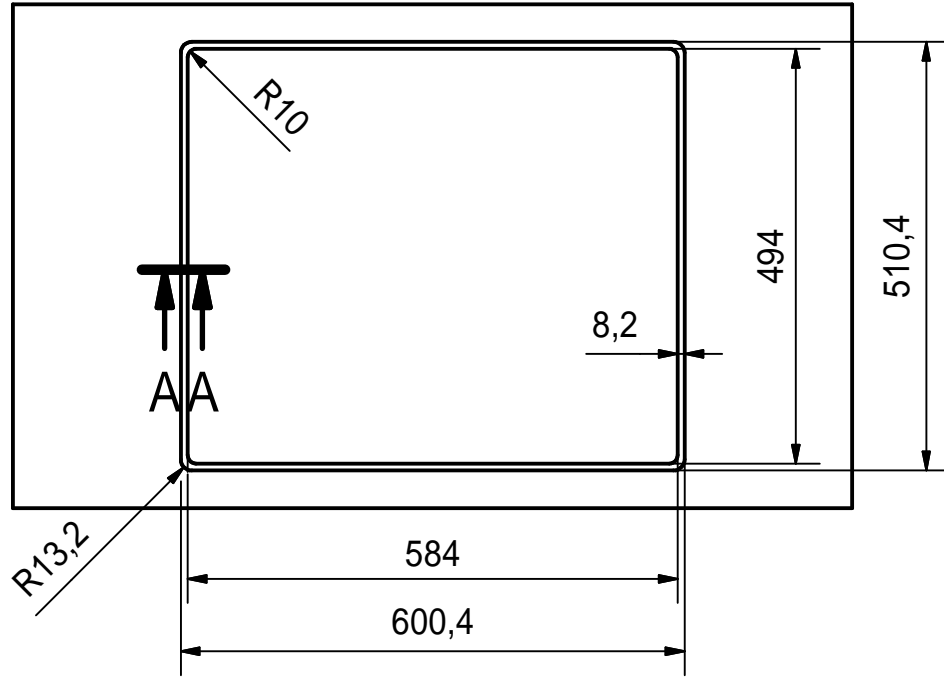
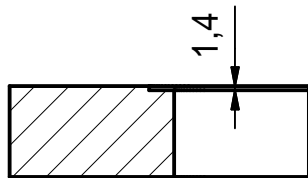


| | | | | | | | | | |
|-----------------------|-------|-----------|------------------|--|-----------------|-----------------|------------|-----------|------------|
| Drawn by | HH009 | 18.2.2013 | Replaced through | | Part Gr. | Part / Tool No. | Tolerance | Thickness | Shear size |
| Checked by | | | Replacement for | | | 101.0276.606 | ISO 2768 m | | |
| Modified by | | | Originate from | | Material | | Remark | | Weight |
| Revision Description: | | | | Unit | Project | | Collection | | |
| | | | | mm | Upotettavat | | Vela | | |
| | | | | | Vela VLX 610-50 | | | | |
| | | | | Department: Sinks | -Upotettava | | | | |
| | | | | | slimtop | | | | |
| | | | | Franke Finland Oy Vartiokuja 1, 76850 Naarajärvi Telefon: +358 15 3411 1 Telefax: +358 15 3411 560 E-Mail: fhn-info@franke.com Internet: www.franke.fi | Format | Drawing No. | Rev. | Sheet | |
| | | | | <small>These drawings and specifications are the property of Franke Technology and Trademark Ltd. and shall not be reproduced, copied or transferred to any third party without the prior written permission of Franke Technology and Trademark Ltd., Hergiswil, Switzerland</small> | A4 | 0046-117182 | | 1 | |

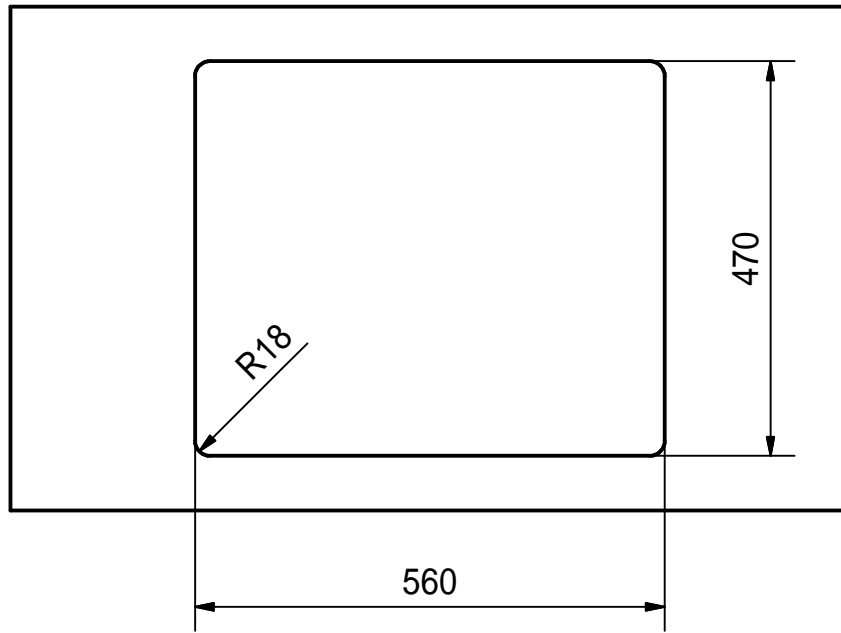


-Huullosaukko



A-A (1 : 2,5)

| | | | | | | | | |
|-----------------------|-------|-----------|---|--------------------|-----------------|------------|-----------|------------|
| Drawn by | HH009 | 18.2.2013 | Replaced through | Part Gr. | Part / Tool No. | Tolerance | Thickness | Shear size |
| Checked by | | | Replacement for | | 101.0276.606 | ISO 2768 m | | |
| Modified by | | | Originate from | Material | | Remark | | Weight |
| Revision Description: | | | Unit | Project | | Collection | | |
| | | | mm | Upotettavat | | Vela | | |
| | | | Scale | Vela VLX 610-50 | | | | |
| | | | NTS | -Huullos kiinnitys | | | | |
| | | | Department: Sinks | slimtop | | | | |
| | | | FRANKE | | | | | |
| | | | Franke Finland Oy | | | | | |
| | | | Vartiokuja 1, 76850 Naarajärvi | | | | | |
| | | | Telefon: +358 15 3411 1 | | | | | |
| | | | Telefax: +358 15 3411 560 | | | | | |
| | | | E-Mail: fhn-info@franke.com | | | | | |
| | | | Internet : www.franke.fi | | | | | |
| | | | These drawings and specifications are the property of Franke Technology and Trademark Ltd. and shall not be reproduced, copied or transferred to any third party without the prior written permission of Franke Technology and Trademark Ltd., Hergiswil, Switzerland | Format | Drawing No. | Rev. | Sheet | |
| | | | | A4 | 0046-117182 | | 2 | |



-Altapäin kiinnitettävä

| | | | | | | | | |
|-----------------------|-------|-----------|--|-------------------------|-----------------|------------|-----------|------------|
| Drawn by | HH009 | 18.2.2013 | Replaced through | Part Gr. | Part / Tool No. | Tolerance | Thickness | Shear size |
| Checked by | | | Replacement for | | 101.0276.606 | ISO 2768 m | | |
| Modified by | | | Originate from | Material | | Remark | | Weight |
| Revision Description: | | | Unit | Project | | Collection | | |
| | | | mm | Upotettavat | | Vela | | |
| | | | | Vela VLX 610-50 | | | | |
| | | | Department: Sinks | -Altapäin kiinnitettävä | | | | |
| | | | | slimtop | | | | |
| | | | Franke Finland Oy Vartiokuja 1, 76850 Naarajärvi Telefon: +358 15 3411 1 Telefax: +358 15 3411 560 E-Mail: fhn-info@franke.com Internet: www.franke.fi | Format | Drawing No. | Rev. | Sheet | |
| | | | <small>These drawings and specifications are the property of Franke Technology and Trademark Ltd. and shall not be reproduced, copied or transferred to any third party without the prior written permission of Franke Technology and Trademark Ltd., Hergiswil, Switzerland</small> | A4 | 0046-117182 | | 3 | |