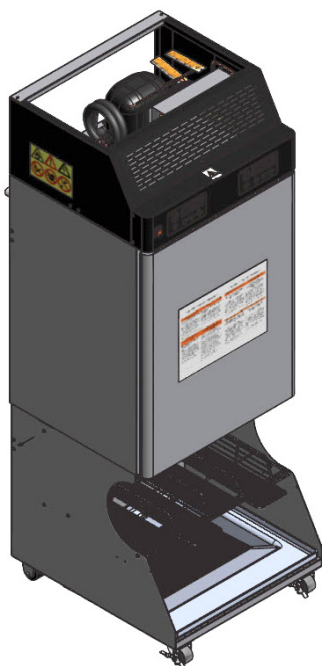


Serve up wonderfully crispy fries with the mobile and

ENERGY-SAVING FRY DISPENSER

F3D3P



SPECIFICATION

Commercial grade, heavy-duty mobile freezer for holding and dispensing of frozen food product.

- Refrigeration: Self-contained, R290 cold wall construction
- French fry capacity: up to 26 kg
- Dispensing Rate: up to 700 baskets/hour
- Basket Capacity: 8 total (4 in dispense area and 4 in storage area)
- Electrical: 230 V/50 Hz/3.7 A
- Dimensions: 714 x 838 x 1983 mm
- Part-Nr.: 718.390.740



FEATURES

- Product Quality: Ensures dispensed product is cooked from frozen, proven to improve quality, yield and consistency
- Speed: Rapid basket refill allows continuous operation without the need to stage full baskets of product
- Frozen Holding: Additional space can be used for holding hash browns during breakfast hours
- Ease of Use: Simple, one-handed operation. Automatic, fast basket dispensing
- Quick Loading: Easy to load fries into hopper. Low product level warning alarm
- Simple Cleaning: Simple to assemble and clean. Fully removable cleaning trays and racks
- Fast Installation: Quick installation in restaurant: simply put in place and plug-in
- Reversible: Door is field reversible
- Fry Baskets: Works with most baskets for up to 700 grams of French Fries
- Can be used in conjunction with other Franke dispensers to meet menu expansion
- Warranties: 1 year parts, 1 year labor
- Start-Up excluded

DIMENSIONS

| | |
|--------|---------|
| Length | 714 mm |
| Width | 838 mm |
| Height | 1983 mm |
| Weight | 237 kg |

ELECTRICAL CONNECTION

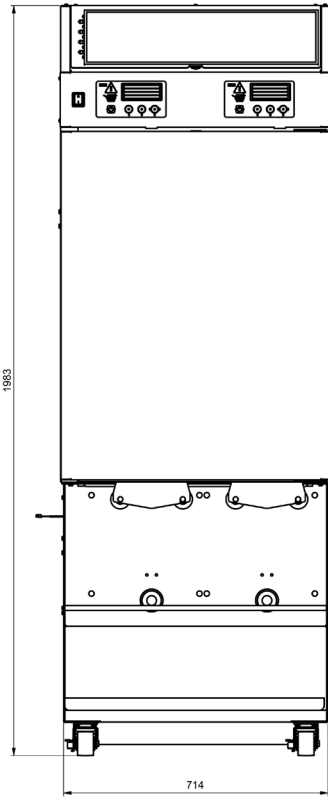
| | |
|-----------|-------------|
| Voltage | 230 V |
| Phases | 1 Ph/L/N/PE |
| Power | 0.6 kW |
| Frequency | 50 Hz |
| Frequency | 3.7 A |

*Make
it
Wonderful*

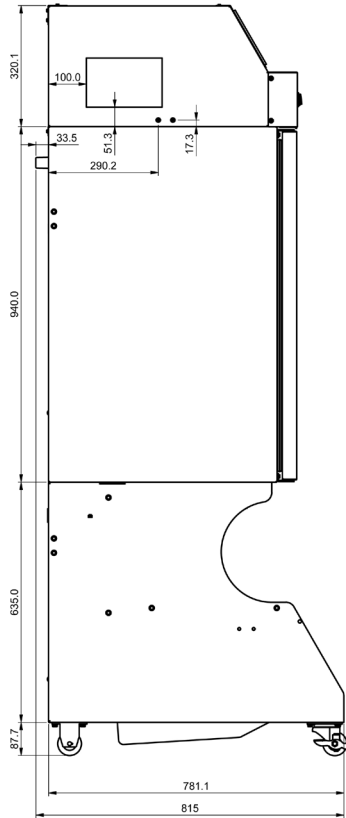
FRANKE

Frozen Fry Dispenser F3D3P (Dual Lane)

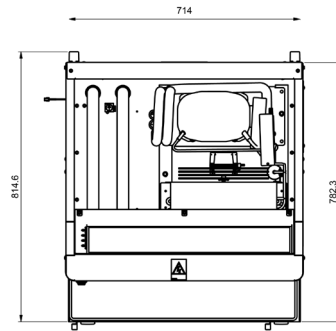
Front View



Side View



Plan View



Franke Foodservice Systems Europe
Jurastr. 3
79713 Bad Säckingen
Germany
www.franke.com



(Revised: February 2016)



Your specialist dealer would be happy to advise you!
Please contact them.