

**Devices heights:**

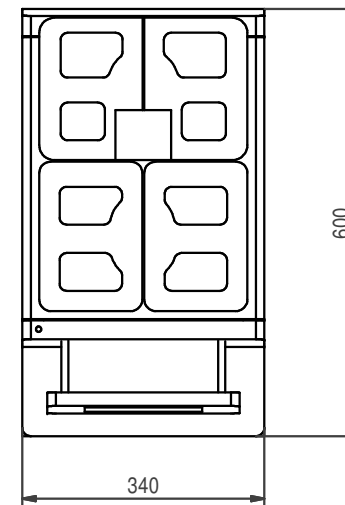
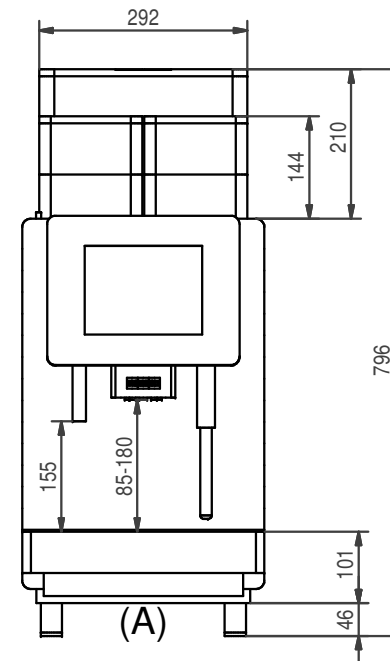
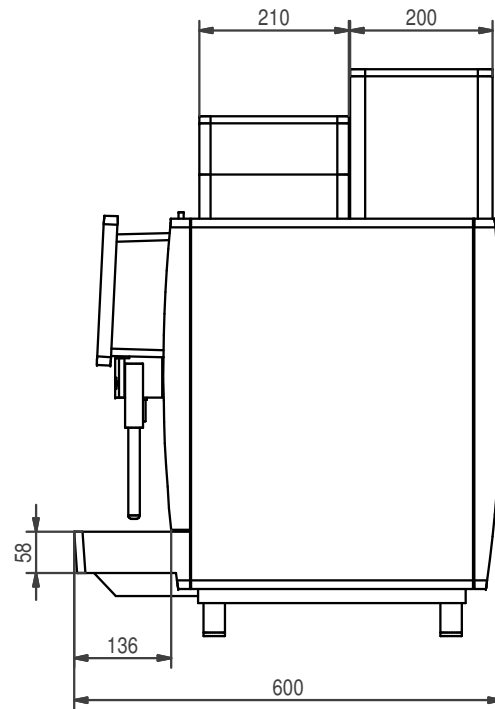
with feet 7 mm (Option):  
Height 750 + 7 = 757\*\*

with feet 40 mm (Standard):  
Height 750 + 46 = 796\*\*

Adjustable feet 70 mm (Option):  
Height 750 + 71 = 821\*\* (to 831\*\*)

Adjustable feet 100 mm (Option):  
Height 750 + 100 = 850\*\* (to 860\*\*)

\*\*The optional bean hopper 2 x 600 g reduces the Device height 52 mm.



**Technical data:**

(A) A600: 200 V, 2L PE, 2450 W, 15 A, 50-60 Hz - JP  
(Net weight 38 kg) 200-220 V, 2L PE, 4500-5300 W, 30 A, 60 Hz - US/CR/PA  
220 V, 2L PE, 2400 W, 16 A, 60 Hz - BR  
220-240 V, 1LNPE, 2100-2300 W, 10 A, 50-60 Hz - CH/GB/EU/CH  
220-240 V, 1LNPE, 2400-2800 W, 16 A, 50-60 Hz - CH/GB/EU

with mains water connection: Inlet hose 8 x 1500 mm, union nut G3/8"  
Waste water hose 20 x 2000 mm

with internal water tank: 4,0 liters, level monitoring, filter cartridge Claris  
Drip tray 3,0 liters, removable, level monitoring

Franke Kaffeemaschinen AG Franke-Strasse 9 CH-4663 Aarburg Telefon: +41 62 787 3607 E-Mail: kmch@franke.com Internet: www.franke.com	Unit		Scale	Description				
	Drawn	MAIER	21.04.2016	TD_A600TS_en				
	Modified	MB002	28.06.2018					
	Checked							
<small>These drawings and specifications are the property of Franke Technology and Trademark Ltd. and shall not be reproduced, copied or transferred to any third party without the prior written permission of Franke Technology and Trademark Ltd., Hergiswil, Switzerland</small>	ECN	500000001512		Document ID - Version	Revision	Status	Sheet / Sheets	Format
	Article Number			20095431-03		15	1 / 2	A3

**Installation notes on site:**

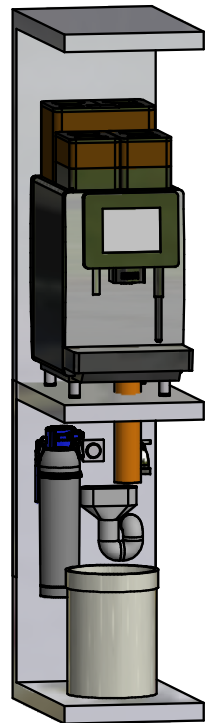
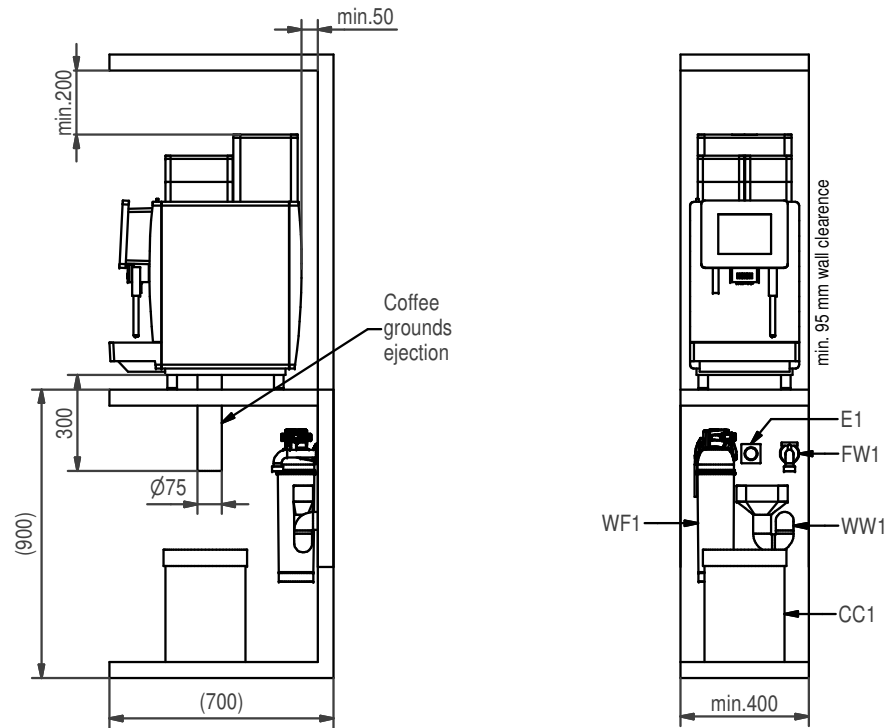
WW1: Option waste water - DN50 funnel trap ventilated - A600 (A)  
for drainage hose

FW1: Option mains water connection G3/8A external thread - A600 (A)  
Check valve, filter and aquastop - recommendation  
Water pressure 80-800 kPa (0,8-8,0 bar)  
Flow rate: >0,1l/sec. - Water temperatur <25°C  
Water hardness: 4-8°dH; 7-14fH; 70-140ppm (mg/l)  
Carbon hardness: 3-6°dH; 50-105ppm (mg/l) - pH-value: 6,5-7,5  
Chlorine content: <0,5mg/l - Chloride content: <30mg/l  
Elektrical conductivity: 50-200µS/cm - Iron content: <0,3mg/l

E1: Soket with RCD (residual current device) - A600 (A)  
200 V, 2L PE, 2450 W, 15 A, 50-60 Hz - JP  
200-220 V, 2L PE, 4500-5300 W, 30 A, 60 Hz - US/CR/PA  
220 V, 2L PE, 2400 W, 16 A, 60 Hz - BR  
220-240 V, 1LNPE, 2100-2300 W, 10 A, 50-60 Hz - CH/GB/EU/CN  
220-240 V, 1LNPE, 2400-2800 W, 16 A, 50-60 Hz - CH/GB/EU

CC1: Option container for coffee-grounds ejection - A600 (A)

WF1: Option water filter - A600 (A)

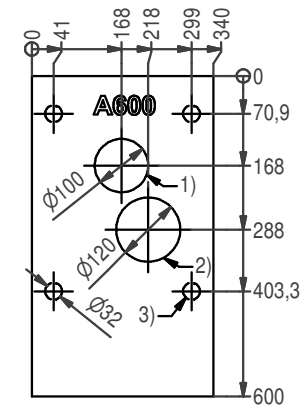


**Installation requirements:**

Our delivered appliances are ready for operation. They have to be installed on a flat surface. First the preparations for the connections of water and electricity must be complete. Distance max. 1 m up to the device. This preparation-works must be performed by qualified specialists in accordance with applicable regulations. The coffee machine is intended exclusively for operation in interior rooms.  
Ambient temperatur: 5°C - 32°C.  
Humidity: max. 80%

**Positions:**

- Pos. 1) 1x Drilling  
- Supply lines - A600 (A)
- Pos. 2) 1x Drilling (Option)  
- Coffee-grounds ejection - A600 (A)
- Pos. 3) 4x Surface  
- Equipment feet - A600 (A)



Franke Kaffeemaschinen AG Franke-Strasse 9 CH-4663 Aarburg Telefon: +41 62 787 3607 E-Mail: kmch@franke.com Internet: www.franke.com	Unit		Scale	Description				
	Drawn	MAIER	21.04.2016	TD_A600TS_en				
	Modified	MB002	28.06.2018					
	Checked							
<small>These drawings and specifications are the property of Franke Technology and Trademark Ltd. and shall not be reproduced, copied or transferred to any third party without the prior written permission of Franke Technology and Trademark Ltd., Heggen, Switzerland</small>	ECN	500000001512		Document ID - Version	Revision	Status	Sheet / Sheets	Format
	Article Number			20095431-03		15	2 / 2	A3