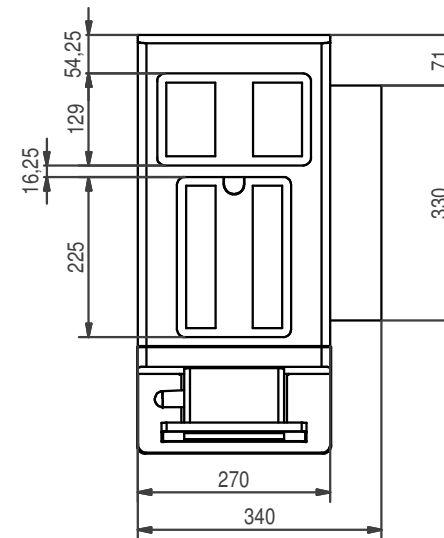


(A)



Technical data:

(A) A300: 220-240 VAC, 1L N PE, 2100-2400 W, -, 50-60 HZ, 10 A - CH/GB/EU
 (Net weight 28 kg) 100-127 VAC, 1L N PE, 1200-1500 W, -, 60 HZ, 15 A - USA/LATAM
 100 VAC, 1L N PE, 1400 W, -, 50-60 HZ, 15 A - JP

Fresh water: Internal water tank, 4.8 litres (monitored)

Waste water: Drip tray removable, capacity 2.0 liters (monitored)
alternatively:
 Drip tray with drain hose Di20 x 2000 mm

Franke Kaffeemaschinen AG Franke-Strasse 9 CH-4663 Aarburg Telefon: +41 62 787 3607 E-Mail: kmch@franke.com Internet: www.franke.com	Unit		Scale	Description TD_A300NM_MS_FM_I_W3_en	Revision	Status	Sheet / Sheets	Format
	mm		NTS					
	Drawn	MB002	12.02.2020					
	Modified	MB002	06.03.2020					
Checked								
<small>These drawings and specifications are the property of Franke Technology and Trademark Ltd. and shall not be reproduced, copied or transferred to any third party without the prior written permission of Franke Technology and Trademark Ltd., Hergiswil, Switzerland</small>	ECN	500000001512	Document ID - Version					
	Article Number		20175020-01			15	1 / 2	A3

