

Multiple Washbasins made of MIRANIT

MIRANIT - THE MINERAL MATERIAL FOR HIGH DEMANDS AND EXCEPTIONAL DESIGN



Smart Hygiene Solutions.

FRANKE

WASHROOM
SYSTEMS

MIRANIT – The name for a new composite granite material

MIRANIT, a new composite granite material, is a unique combination of strength and design capabilities used to create a new generation of washbasins. This material is a stable compound consisting of approximately 80% natural minerals such as calcium carbonate and quartz as well as approximately 20% of a high-quality unsaturated polyester resin. Due to its exceptional moulding properties, this resin-bonded mineral material can be formed into any shape, even when thin material thicknesses are required. With this material, MIRANIT washba-

sins offer a completely new approach to the design of wash areas, because in spite of their flat and elegant impression the washbasins provide high durability. Small radii of just 2 mm underscore the clear and expressive shapes that the new MIRANIT wash solutions offer.

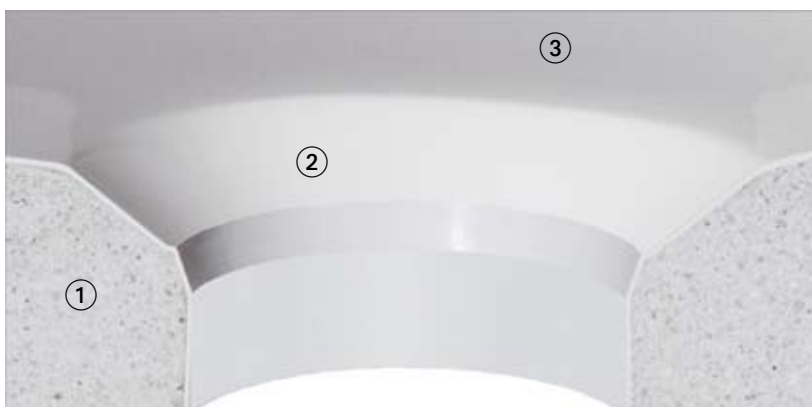
A graceful and clean appearance with in-built strength – only MIRANIT, the mineral material specifically designed to meet the requirements of commercial and public sanitary facilities, can provide this combination.

The stable and fracture-resistant material has a smooth, pore-free and high-gloss exterior skin. The Gelcoat layer that provides the Alpine White colour is easy to clean, impact resistant, non-abrasive and offers good resistance to alkalines and acids. Even water temperatures up to 80°C will not harm the Gelcoat surface.





- ① High stability with reduced material thickness
- ② Wash bowl has excellent shape retention
- ③ Small radii for new design possibilities
- ④ Clearly contoured rear edge



- ① MIRANIT– fracture-resistant compound made of natural minerals and unsaturated polyester resin
- ② Hygienic surface, temperature-resistant up to 80°C
- ③ Smooth, pore-free and high-gloss Gelcoat surface

This is the time for design and functionality

QUADRO – The new form of modern sanitary room design

The architectural requirements for equipment used in sanitary rooms that are frequented by many people vary considerably.

However, the optimum use of space is always a key concern. Experience has shown that washbasin combinations of different lengths and having several wash bowls are well suited for commercial and public washroom designs. For this reason the standard unit width of the new single wash basin is 600 mm. Where there are several wash bowls in a multiple unit, the centre to centre distance of the bowls is 700 mm.

The clear, functional lines of QUADRO multiple washbasins makes them very suitable for providing a modern design to sanitary rooms. The rectangular shape of the basin merges gracefully over into a flowing bowl, it's flat form offering particularly convenient washing. The lightness and discreteness of this shape reveals the design opportunities that mineral granite offers.



Washing room with two QUADRO multiple washbasins, each as a triple unit



Multiple washing system with QUADRO single washbasins, AQUAMIX-C self-closing fittings and XINOX® Touch free soap dispensers



QUADRO multiple washbasins with self-closing single mixer AQUAMIX-C

Modern sanitary room design

RONDA – Harmonious design for every washroom

The elegant shape of the Ronda bowl has a circular form with a flat back face that runs parallel to the wall. The optically pleasing design fits harmoniously into every wash room while providing generous basin space to make washing easy for users. Due to the small contoured rear edge and an apron height of only 60 mm, the new

multiple washing systems appear very modern and well proportioned.

Depending on the installation requirements, RONDA washbasins are available as single, double and triple units and can also be formed with extended flat areas to fit into recesses between two walls.



Sport facility with two RONDA double washbasins with AQUAMIX-S self-closing single mixer, XINOX® accessory series



RONDA multiple washbasins fit exceptionally well into the architecture of modern designed sanitary rooms. Their timeless bowl form allows them to be combined both with more classic as well as very modern designs.

RONDA multiple washbasins with PROTRONIC-S electronic washbasin fittings

A clean solution, right into the last corner

QUADRO niche washbasins – variable solutions

Modern and individual washroom layouts in new buildings or buildings to be refurbished can be a special issue when custom-fitting washbasins are required. Variable niche washbasins offer custom-tailored solutions for this purpose. The washbasins can have one or two bowls and are available with a maximum length up to 2100 mm. Designs with only one washing bowl located either in the middle, to

the left or to the right, offer an especially large flat surface for the convenience of users.

The particular advantages that the MIRANIT material offers become clear when installing niche washbasins between two walls. In spite of its strength, the material can still be cut mechanically on site to adapt it to the space available.



QUADRO niche washbasin with two bowls, AQUAMIX-C self-closing fitting, soap dispenser and hand dryer from the the XINOX® series of accessories



Washing-unit solution for a niche, with QUADRO model, bowl on the left



QUADRO niche washbasins with a bowl on the left in combination with AQUAMIX-C self-closing fitting and integrated CHRONOS soap dispenser

Niche washbasins – easy to clean and hygienic

RONDA – timeless washbasin design

It is particularly the timeless and appealing design variation RONDA that develops a special attraction as a niche washbasin. The perfect and easy-to-clean surface that has no joints or seams provides a comfortable environment for users to enjoy. Due to the large flat surfaces the niche models are particularly suitable for applications in hotels, leisure facilities or even in apartments or studios.

All washbasin variations are optionally available with or without a taphole, and are very well suited for combining with manual self-closing or electronic taps also available in the Franke range of products.



RONDA recess washbasins with two bowls,
AQUALINE-S fittings, XINOX® accessories



As a result of their modern and timeless design, RONDA niche washbasins are also well suited for applications in leisure centres and hotels as well as for up-market office buildings.

LOTOS – A washbasin blossoms out

Natural material in a natural form

The leaf of the lotus flower is reflected in the design of the LOTOS washbasin. The simple proportions of the shape and the size of the bowl makes an attractive washroom even better. Just like the blossom, the almost delicate effect of LOTOS washbasins is underscored by the thin material thickness

of only 10 mm and shows clearly the advantages that the MIRANIT material offers with respect to design and strength.

LOTOS washbasins provide an optical highlight for room recesses in combination with large mirrors. Ideally the

washbasins are combined with automatically operating fittings to provide increased hygiene and water savings.



LOTOS single washbasins with PROTRONIC-S electronic fittings



LOTOS washbasins without a tap landing are specially designed for applications with wall-mounted fittings.



The ideal combination of function and design can be seen in the LOTOS washbasin combined with the new electronic fittings. The PROTRONIC-S washbasin fitting is specially suited for non-touch water control.

QUADRO Multiple Washbasins

View
all measurements in mm

Type / Design

Article No.



QUADRO single washbasin

made of MIRANIT resin-bonded mineral material, colour Alpine White. With seamless rectangular bowl, without overflow. Integral back panel with integrated brackets and holes for fixing. Rear contoured edge. Mounting material included (hanger bolts and dowels).

Length of washbasin: 600
Bowl dimensions (LxWxH): 520x375x40/90
Three-sided apron 60

ANMW 411 with taphole **7612982099830**

ANMW 410 without taphole **7612982099878**

Accessories:

Strainer waste DN 32 **7612982100178**

Dome waste DN 32 **7612982100161**

Pop-up waste and overflow set DN 32 **7612982097812**



QUADRO double washbasin

made of MIRANIT resin-bonded mineral material, colour Alpine White. With two seamless rectangular bowls, without overflow. Integral back panel with integrated brackets and holes for fixing. Rear contoured edge. Mounting material included (hanger bolts and dowels).

Length of double washbasin: 1400
Bowl dimensions (LxWxH): 580x360x40/90
Centre-to-centre distance of the bowls 700
Three-sided apron 60

ANMW 421 with tapholes **7612982099823**

ANMW 420 without tapholes **7612982099861**

Accessories:

Strainer waste DN 32 **7612982100178**

Dome waste DN 32 **7612982100161**

Pop-up waste and overflow set DN 32 **7612982097812**



QUADRO triple washbasin

made of MIRANIT resin-bonded mineral material, colour Alpine White. With three seamless rectangular bowls, without overflow. Integral back panel with integrated brackets and holes for fixing. Rear contoured edge. Mounting material included (hanger bolts and dowels).

Length of triple washbasin: 2100
Bowl dimensions (LxWxH): 580x360x40/90
Centre-to-centre distance of the bowls 700
Three-sided apron 60

ANMW 431 with tapholes **7612982099847**

ANMW 430 without tapholes **7612982099854**

Accessories:

Strainer waste DN 32 **7612982100178**

Dome waste DN 32 **7612982100161**

Pop-up waste and overflow set DN 32 **7612982097812**

RONDA Multiple Washbasins

View

all measurements in mm

Type / Design

Article No.



RONDA single washbasin

made of resin-bonded MIRANIT mineral material, colour Alpine White. With seamless round bowl, flattened out at the rear, without overflow. Integral back panel with integrated brackets and holes for fixing. Rear contoured edge. Mounting material included (hanger bolts and dowels).

Length of washbasin: 600
Bowl dimensions (ØxWxH): 520x380x90
Three-sided apron 60

| | | |
|-----------------|-----------------|----------------------|
| ANMW 211 | with taphole | 7612982099885 |
| ANMW 210 | without taphole | 7612982099892 |

Accessories:

| | |
|-------------------------------------|----------------------|
| Strainer waste DN 32 | 7612982100178 |
| Dome waste DN 32 | 7612982100161 |
| Pop-up waste and overflow set DN 32 | 7612982097812 |



RONDA double washbasin

made of MIRANIT resin-bonded mineral material, colour Alpine White. With two seamless round bowls, flattened out at the rear, without overflow. Integral back panel with integrated brackets and holes for fixing. Rear contoured edge. Mounting material included (hanger bolts and dowels).

Length of double washbasin: 1400
Bowl dimensions (ØxWxH): 540x380x90
Centre-to-centre distance of the bowls 700
Three-sided apron 60

| | | |
|-----------------|------------------|----------------------|
| ANMW 221 | with tapholes | 7612982099908 |
| ANMW 220 | without tapholes | 7612982099915 |

Accessories:

| | |
|-------------------------------------|----------------------|
| Strainer waste DN 32 | 7612982100178 |
| Dome waste DN 32 | 7612982100161 |
| Pop-up waste and overflow set DN 32 | 7612982097812 |



RONDA triple washbasin

made of MIRANIT resin-bonded mineral material, colour Alpine White. With three seamless round bowls, flattened out at the rear, without overflow. Integral back panel with integrated brackets and holes for fixing. Rear contoured edge. Mounting material included (hanger bolts and dowels).

Length of triple washbasin: 2100
Bowl dimensions (ØxWxH): 540x380x90
Centre-to-centre distance of the bowls 700
Three-sided apron 60

| | | |
|-----------------|------------------|----------------------|
| ANMW 231 | with tapholes | 7612982099922 |
| ANMW 230 | without tapholes | 7612982099939 |

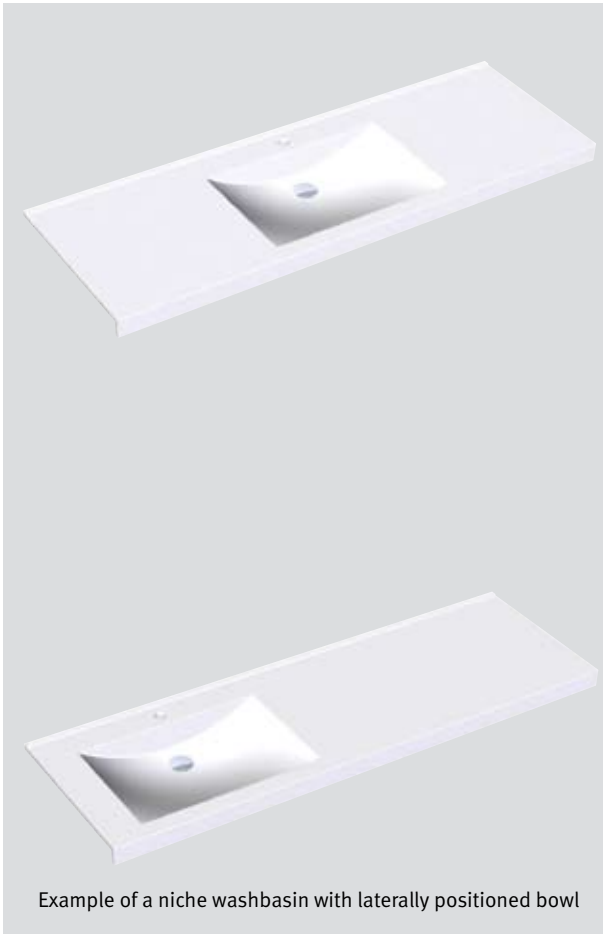
Accessories:

| | |
|-------------------------------------|----------------------|
| Strainer waste DN 32 | 7612982100178 |
| Dome waste DN 32 | 7612982100161 |
| Pop-up waste and overflow set DN 32 | 7612982097812 |

QUADRO Niche Washbasins

| View | Type / Design | Article No. |
|------|---------------|-------------|
|------|---------------|-------------|

all measurements in mm



Example of a niche washbasin with laterally positioned bowl

QUADRO niche washbasin

made of MIRANIT resin-bonded mineral material, colour Alpine White. With one centrally positioned, seamless rectangular bowl, without overflow. Integral back panel in the bowl area, with integrated brackets and holes for fixing. Rear contoured edge. Mounting material included (hanger bolts, dowels and wall-connector brackets). The installer can use a disc grinder to adapt the length.

Length of washbasin: 700 to 1600
 Bowl dimensions (LxWxH): 580x360x40/90
 Three-sided apron 60

Length 1300

| | | |
|-----------------|-----------------|----------------------|
| ANMW 511 | with taphole | 7612982106538 |
| ANMW 510 | without taphole | 7612982106545 |

Length 1600

| | | |
|-----------------|-----------------|----------------------|
| ANMW 515 | with taphole | 7612982106552 |
| ANMW 516 | without taphole | 7612982106569 |

Laterally positioned bowl, precise measurement production and side edgings available on request. Length of washbasin 700 to 1600 mm.

Accessories:

| | |
|-------------------------------------|----------------------|
| Strainer waste DN 32 | 7612982100178 |
| Dome waste DN 32 | 7612982100161 |
| Pop-up waste and overflow set DN 32 | 7612982097812 |

QUADRO niche washbasin

made of MIRANIT resin-bonded mineral material, colour Alpine White. With two seamless rectangular bowls, without overflow. Integral back panel in the bowl area, with integrated brackets and holes for fixing. Rear contoured edge. Mounting material included (hanger bolts, dowels and wall-connector brackets). The installer can use a disc grinder to adapt the length.

Length of washbasin: 1400 to 2100
 Bowl dimensions (LxWxH): 580x360x40/90
 Centre-to-centre distance of the bowls 700
 Front apron 60

Length 2100

| | | |
|-----------------|------------------|----------------------|
| ANMW 521 | with tapholes | 7612982110108 |
| ANMW 520 | without tapholes | 7612982106576 |

Precise measurement production and side edgings available on request.

Accessories:

| | |
|-------------------------------------|----------------------|
| Strainer waste DN 32 | 7612982100178 |
| Dome waste DN 32 | 7612982100161 |
| Pop-up waste and overflow set DN 32 | 7612982097812 |



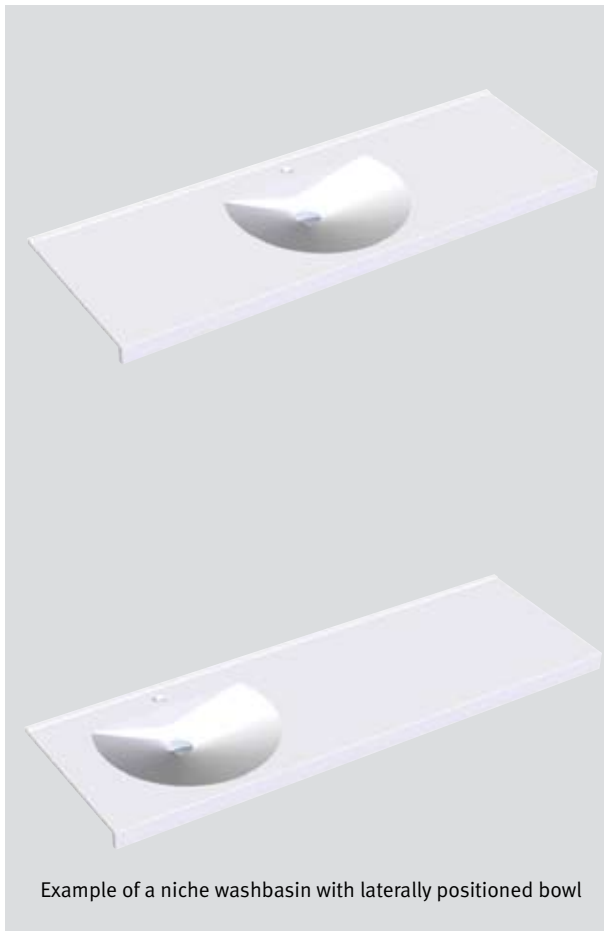
RONDA Niche Washbasins

View

all measurements in mm

Type / Design

Article No.



RONDA niche washbasin

made of MIRANIT resin-bonded mineral material, colour Alpine White. With one centrally positioned, seamless round bowl, without overflow. Integral back panel in the bowl area, with integrated brackets and holes for fixing. Rear contoured edge. Mounting material included (hanger bolts, dowels and wall-connector brackets). The installer can use a disc grinder to adapt the length.

Length of washbasin: 700 to 1600
Bowl dimensions (ØxWxH): 540x380x90
Front apron 60

Length 1300

ANMW 551 with taphole **7612982106583**

ANMW 550 without taphole **7612982106590**

Length 1600

ANMW 555 with taphole **7612982106606**

ANMW 556 without taphole **7612982106613**

Laterally positioned bowl, precise measurement production and side edgings available on request. Length of washbasin 700 to 1600 mm.

Accessories:

Strainer waste DN 32 **7612982100178**

Dome waste DN 32 **7612982100161**

Pop-up waste and overflow set DN 32 **7612982097812**

RONDA niche washbasin

made of MIRANIT resin-bonded mineral material, colour Alpine White. With two seamless round bowls, without overflow. Integral back panel in the bowl area, with integrated brackets and holes for fixing. Rear contoured edge. Mounting material included (hanger bolts, dowels and wall-connector brackets). The installer can use a disc grinder to adapt the length.

Length of washbasin: 1400 to 2100
Bowl dimensions (ØxWxH): 540x380x90
Centre-to-centre distance of the bowls 700
Front apron 60

Length 2100

ANMW 561 with tapholes **7612982106620**

ANMW 560 without tapholes **7612982106637**

Precise measurement production and side edgings available on request.




Accessories:

Strainer waste DN 32 **7612982100178**

Dome waste DN 32 **7612982100161**

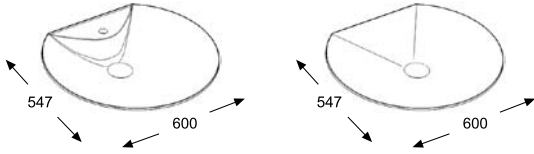
Pop-up waste and overflow set DN 32 **7612982097812**

LOTOS Single Washbasin

| View | Type / Design | Article No. |
|--|---|----------------------|
| all measurements in mm  | LOTOS-R - single washbasin made of resin-bonded MIRANIT mineral material, colour Alpine White, for wall installation with screws and dowels. With seamless round bowl, without tap landing and overflow. Outlet with dome waste DN 32. Mounting material included. Dimensions (LxWxH): 600x547x100 RNDW 221 | 7612982098987 |
|  | LOTOS-R - single washbasin with tap landing and taphole Ø 35 mm, made of resin-bonded MIRANIT mineral material, colour Alpine White, for wall installation with screws and dowels. With seamless round bowl form. Without overflow. Outlet with dome waste DN 32. Mounting material included. Dimensions (LxWxH): 600x547x120 RNDW 226 | 7612982109287 |
|  | LOTOS-H - single washbasin made of resin-bonded MIRANIT mineral material, colour Alpine White, for wall installation with screws and dowels. With seamless hexagonal bowl, without tap landing and overflow. Outlet with dome waste DN 32. Mounting material included. Dimensions (LxWxH): 600x525x100 RNDW 220 | 7612982098994 |

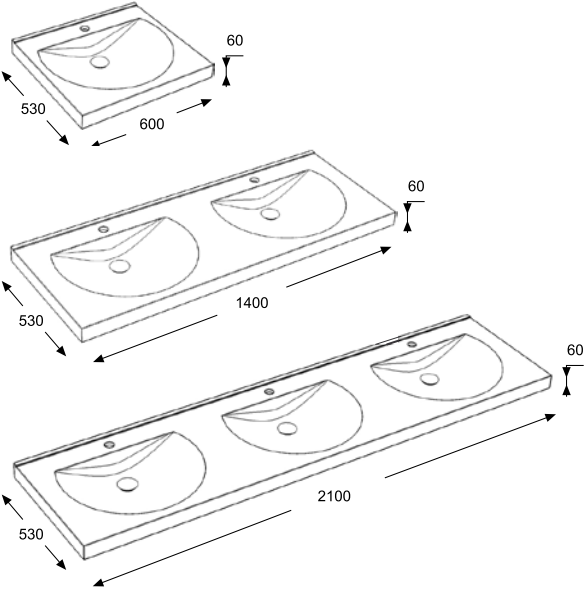
Overview of MIRANIT Multiple Washing Systems and Niche Washing Systems

LOTOS single washbasins:

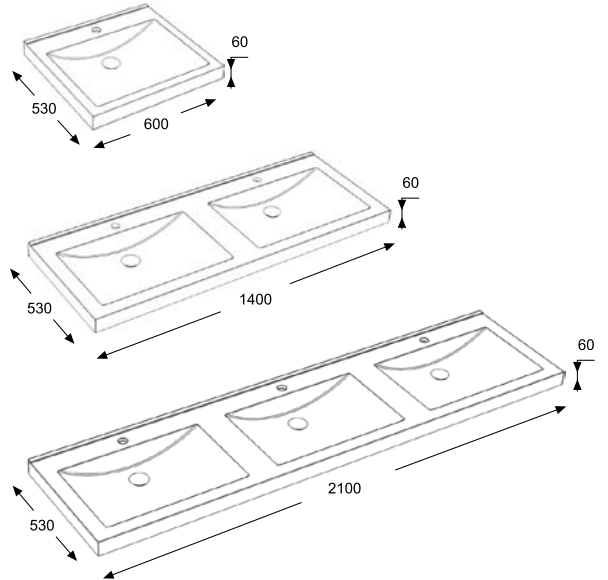


Multiple washbasins:

RONDA

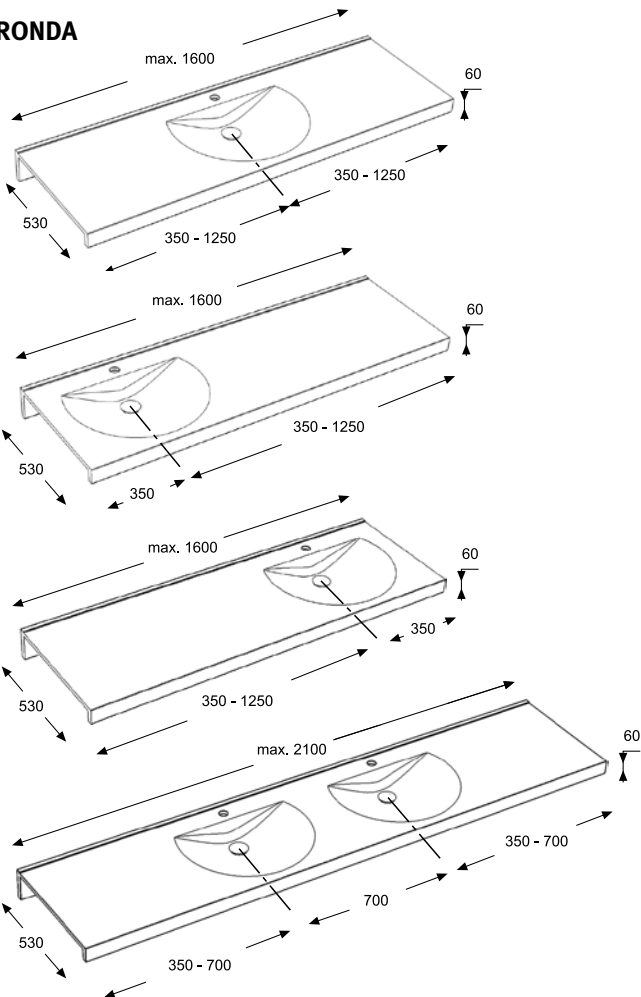


QUADRO



Niche washbasins:

RONDA



QUADRO

